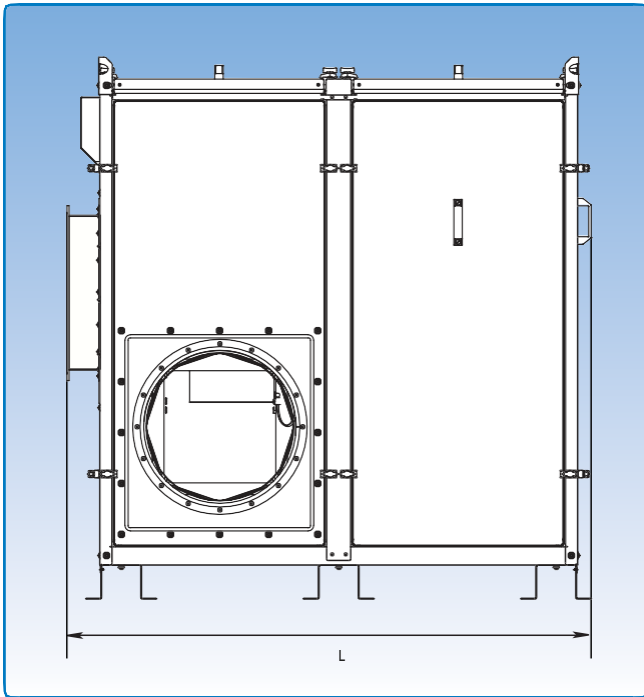
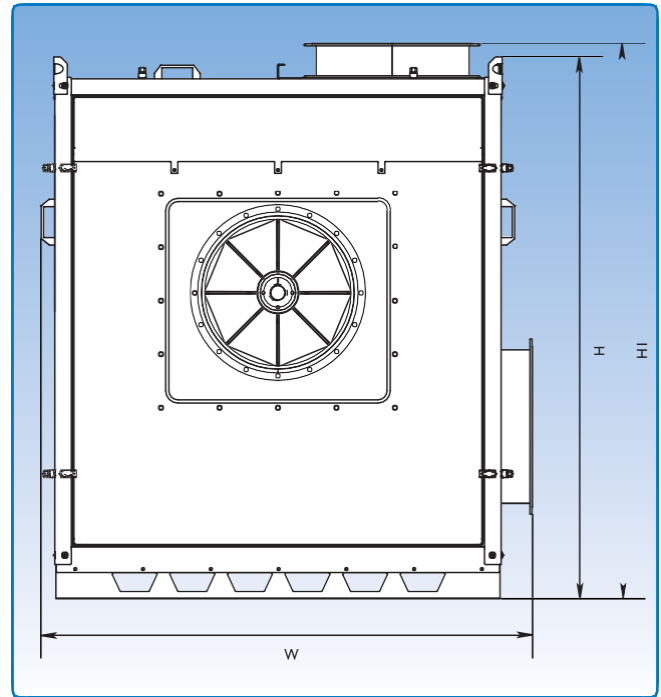


Acoustic booths type AB



For dimensional specifications, see below.



The type AB acoustic booths are employed for fan noise reduction. The acoustic booths are also supplied with an integrated cooling fan to provide enclosure ventilation and cooling.

When using in conjunction with a type MTD clean air fan the AB acoustic booth is supplied as standard with a flanged inlet and outlet connection to allow easy connection.

If ordered at the same time as a type MTD fan, the fan can be supplied assembled inside the AB acoustic booth.

If you intend to retro fit an AB acoustic booth to an existing fan set we recommend that the AB acoustic booth is supplied with solid panels (no apertures) and the inlet and outlet connections are cut to suit on-site

The acoustic booth noise reduction panels are secured to the main steel frame via fixing clamps, this enables fast removal of the panels when undertaking service inspections. To reduce any potential vibration noise the panels tighten against a rubber seal.

The acoustic booth panels are manufactured from an external galvanized steel with fire resistant and environment friendly noise reduction material.

Type	Dimensions			Weight kg
	L mm	W mm	H(H1) mm	
AB-20	990	1133	1265 (1305)	139
AB-30	1410	1315	1460 (1499)	198
AB-40	1549	1453	1595 (1633)	252
AB-50	2140	1823	2247	501
AB-60	2500	2071	2477	644
AB-70	2871	2262	2549	871
AB-80	3075	2615	2884	970
AB-85	3075	2615	3135	1013

Acoustic booths type AB

Technical data

Cooling fan is fitted in a sound absorbent box with washable intake filter.

Cooling fan type 4656 Z:

Power supply 230 V, 50/60 Hz

at 230 V, 18 W, 0,1 A

For use with max. 5,5 kW electric motor

For use with type AB-20 and AB-30 acoustic booth

Cooling fan type W 2 E 200 HH 38-05:

Power supply 230 V, 50/60 Hz or 230/400 V, 50/60 Hz

at 230 V, 80 W, 0,35 A

For use with 7,5 – 22 kW electric motor

For use with type AB-30 – AB-50 acoustic booth

Cooling fan type W 2 E 250 HL 06-01:

Power supply 230 V, 50/60 Hz or 230/400 V, 50/60 Hz

at 230 V, 127 W, 0,83 A

For use with 30 – 90 kW electric motor

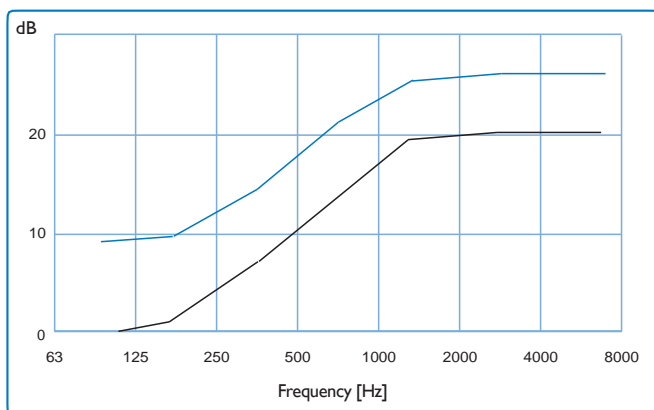
For use with type AB-50 – AB-85 acoustic booth

Noise reduction

The diagram shows the noise-suppression values for fans in acoustic booth.

Individual reports for each combination of fan and acoustic booth can be provided.

Noise measurement made by DELTA.



Black diagram shows general damping values for fans in acoustic booth. Blue diagram shows equivalent damping values, when structure borne noise from fan and acoustic booth is not transmitted.

Fan	Position		
	RV, LO	RN, LN	RO, LV
JK-20D	AB-20	AB-20	AB-20
JK-22D	AB-20	AB-20	AB-20
JK-25D	AB-20	AB-20	AB-20
JK-30D	AB-20	AB-20	AB-20
JK-35D	AB-30	AB-30	AB-30
JK-40D	AB-30	AB-30	AB-30
JK-30K	AB-30	AB-30	AB-30
JK-40K	AB-40	AB-40	AB-40
JK-45K	AB-40	AB-40	AB-50*
JK-55K	AB-50	AB-50	AB-50
JK-75K	AB-60	AB-60	AB-60
T-200K/D	AB-40	AB-40	AB-40
T-300K/D	AB-50	AB-50	AB-50
T-400K/D	AB-50	AB-50	AB-50
T-500K/D	AB-60	AB-60	AB-60
JK-30MTD/MTDP	AB-30	AB-30	AB-30
JK-40MTD/MTDP	AB-30	AB-30	AB-40*
JK-50MTD/MTDP	AB-50	AB-50	AB-50
JK-55MTD	AB-60	AB-60	AB-60
JK-60MTD/MTDP	AB-60	AB-60	AB-60
JK-70MTD/MTDP	AB-60	AB-60	AB-70*
JK-80MTD/MTDP	AB-70	AB-70	AB-80*
JK-90MTD/MTDP	AB-70	AB-80*	AB-80*
JK-30MT	AB-30	AB-30	AB-30
JK-40MT	AB-40	AB-40	AB-40
JK-50MT	AB-50	AB-50	AB-50
JK-50MT L	AB-50	AB-50	AB-50
JK-60MT	AB-50	AB-50	AB-50
JK-60MT L	AB-60	AB-60	AB-60
JK-70MT	AB-60	AB-60	AB-60
JK-70MT L	AB-70	AB-70	AB-70
JK-80MT	AB-60	AB-60	AB-70*
JK-80MT L	AB-70	AB-70	AB-70
JK-90MT	AB-70	AB-80*	AB-80*
JL-90MT L	AB-80	AB-80	AB-80
JK-100MT	AB-80	AB-80	AB-85*
JK-100MT L	AB-80	AB-80	AB-85*

Choice of acoustic booth:

L after fan description indicates long version with guide vane.

* The fan can with alternative position, be installed in a smaller acoustic booth.