

Rotary valve type B - S

Revised: 15.06.2020

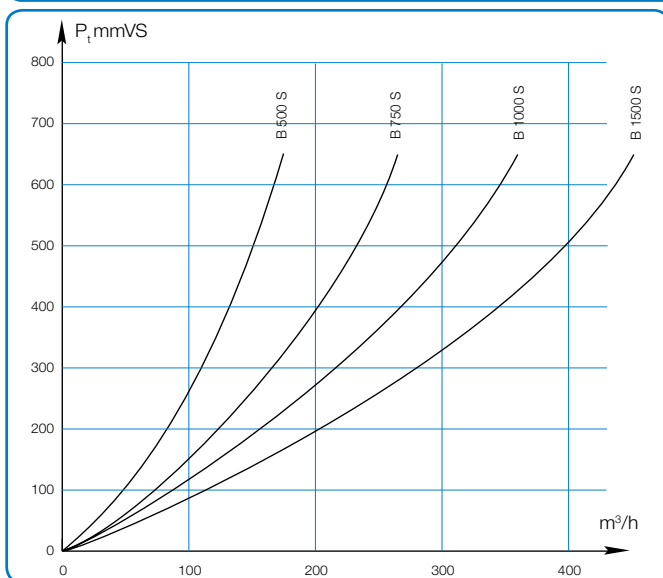
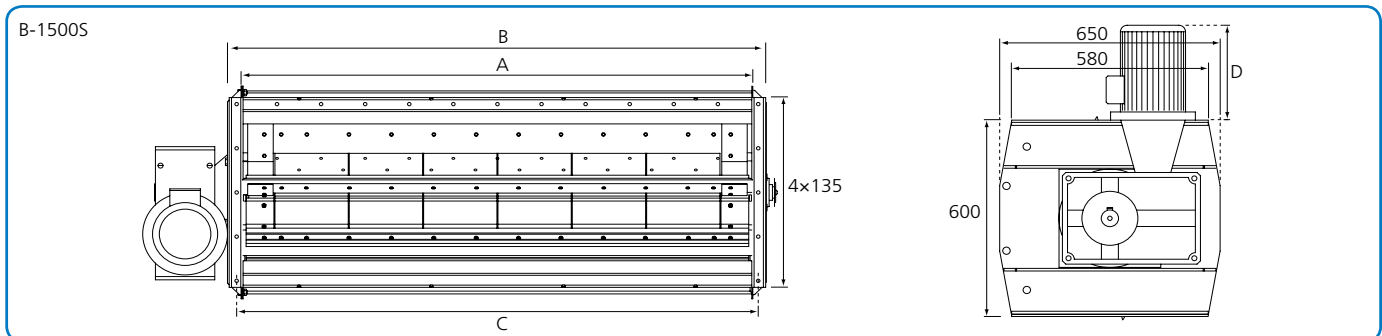
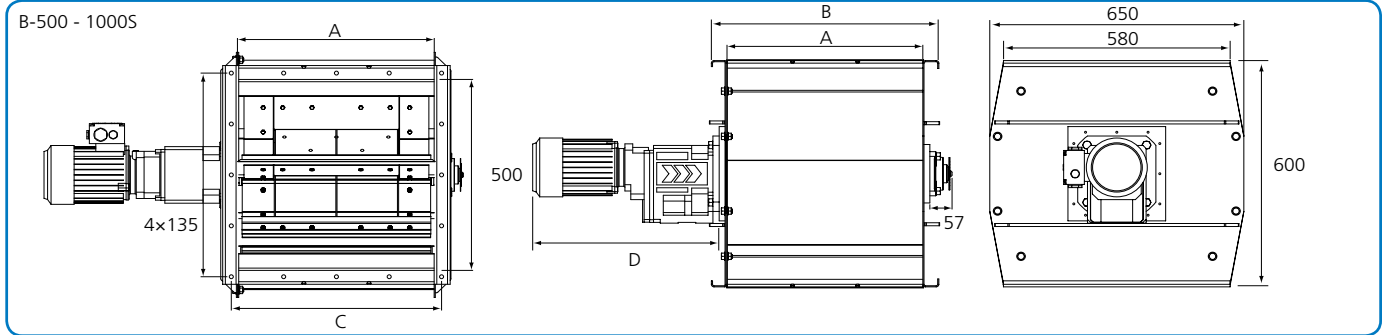


Diagram states loss through rotary valve depending on pressure conditions.

Rotary valves type B-S are fitted with an 8-bladed rotor with hard-wearing rubber blades bolted to the rotor shaft plate profiles.

The rotor is separated from the rotor housing by rubber seals. The shaft is suspended on bearings and connected directly to the gear motor.

1. Rotor fitted with Vulkonnen blades as standard
2. Rotor can be fitted with neoprene rubber or silicone rubber blades for max. temp. 250°C and min. temp. 60°C.

Rotation sensor

Supplied as standard ready for fitting of rotation sensor.

B-S rotary valve is ATEX-approved for category 2D.

Type	Dimensions				Weight kg	Motor kW	Rpm	Capacity 50% full m³/h
	A mm	B mm	D mm	C mm				
B-500S	500	580	525	4 x 135	140	1.5	29	60
B-750S	750	830	525	5 x 158	185	1.5	29	90
B-1000S	1000	1080	610	8 x 130	260	3.0	29	120
B-1500S	1500	1580	296	12 x 130	480	2.2	16	180