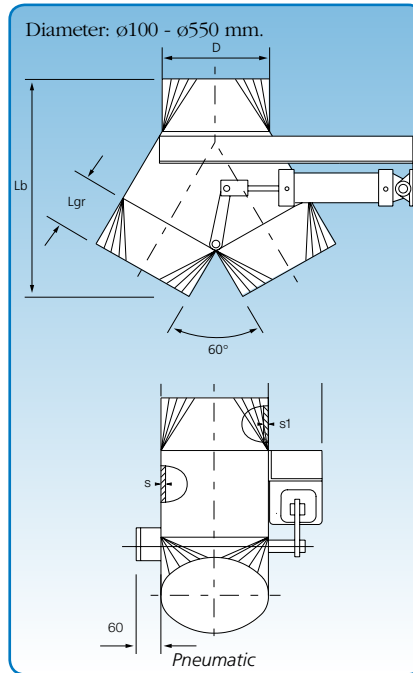
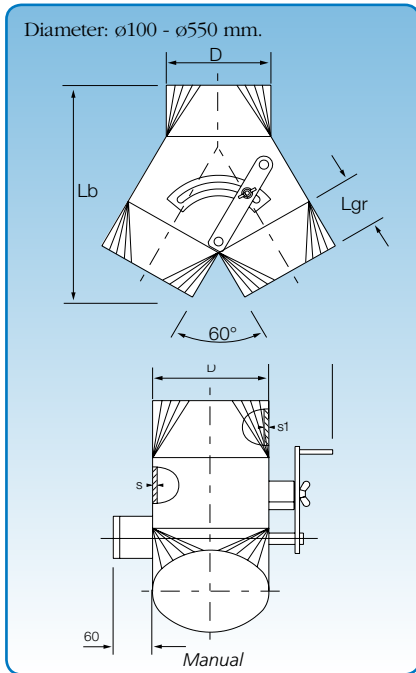


60° trouser diverters, welded, manual and pneumatic.

Revised:

16.06.2020



Dimensional specifications are given in the table below.

General

Trouser diverters, welded, manual, are designed for falling and pneumatic transport. Available with rubber gasket on damper plate for pneumatic transport.

With pneumatic actuator

The damper is turned by a pneumatic cylinder controlled by an electrically-operated valve. Solenoid valve: monostable 5/2 valve with 1 x 24 V DC electric coil. Pneumatic pressure: 4-6 bar. Valve setting indicators are available as an optional extra.

Dimensions									
Item no. (Man.)	Item no. (Pneu.)	D mm	s mm	s1 mm	S2 mm	Lb mm	Lgr mm	Weight (Man.) kg	Weight (Pneu.) kg
1700067	1720067	100	3,00	2,00	4,00	305	105	2,00	6,70
1701067	1721067	120	3,00	2,00	4,00	330	110	4,70	7,80
1702067	1722067	125	3,00	2,00	4,00	330	110	3,90	6,90
1702167	1722967	140	3,00	2,00	5,00	455	145	5,80	10,50
1703067	1723067	150	3,00	2,00	5,00	455	145	5,80	8,80
1704067	1724067	160	3,00	2,00	5,00	455	145	5,60	9,00
1705067	1725067	180	3,00	2,00	5,00	525	145	10,60	13,70
1706067	1726067	200	3,00	2,00	5,00	525	145	11,30	10,90
1706967	1746967	225	3,00	2,00	5,00	820	250	12,50	12,60
1707067	1727067	250	3,00	2,00	5,00	820	250	12,50	15,90
1707267	1727267	275	3,00	2,00	5,00	900	250	18,30	21,70
1708067	1727367	300	3,00	2,00	5,00	900	250	18,30	21,70
1708567	1747567	315	3,00	2,00	6,00	880	250	19,60	22,00
1709067	1727667	350	3,00	2,00	6,00	880	250	24,00	27,40
1709267	1727967	400	3,00	2,00	6,00	930	295	37,00	37,00
1709367	1728067	450	4,00	3,00	6,00	965	295	37,00	40,00
1709467	1728367	500	4,00	3,00	6,00	1040	295	42,00	45,00
1709567	1728667	550	4,00	3,00	6,00	1170	345	48,00	51,00