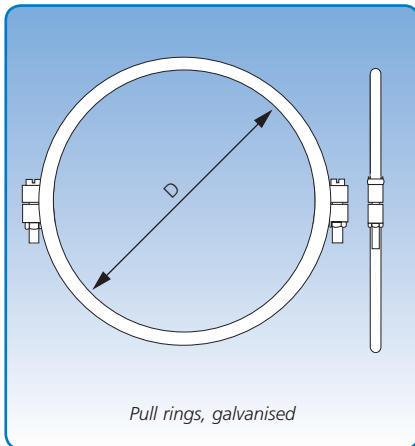


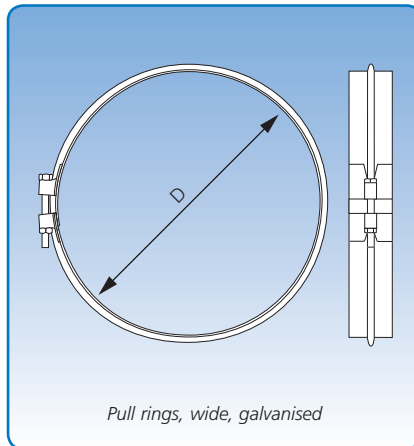
Tension clips , galvanised .

Revised: 16.06.2020



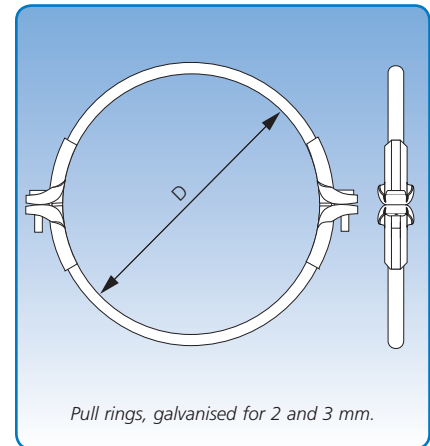
Diameter: $\varnothing 80 - \varnothing 500$ mm.
Galvanised pull rings [f.b] are in two pieces.
Pull rings are electro-galvanised.
EPDM rubber rings are available as optional extras for sealing $\varnothing 80 - \varnothing 300$ mm diameter assemblies.

They are supplied in plastic bags of 10, along with the necessary nuts and bolts.



Diameter: $\varnothing 150 - \varnothing 800$ mm.
Wide galvanised pull rings [f.bb] are made from hot dip galvanised sheet metal.

These rings are supplied individually with nuts and bolts.



Diameter: $\varnothing 80 - \varnothing 600$ mm.
Galvanised pull rings [f.b] are in two pieces.
Pull rings are electro-galvanised.

Insert with sealing compound

Indusvent supplies pull rings with sealing compound inserted, made of Terostat VII material. The insert has a protective plastic film which must be removed before the pull ring can be used. The sealing compound is not soluble. Working temperature range is -50°C to $+100^{\circ}\text{C}$. The rings are supplied in plastic bags of 10, along with the necessary nuts and bolts.

Pull rings, galv.		
Item no.	D mm	10 pcs. Weight kg
GTC080	80	0,55
GTC100	100	0,60
GTC120	120	0,65
GTC140	140	0,75
GTC150	150	0,80
GTC160	160	0,83
GTC180	180	0,85
GTC200	200	0,90
GTC225	225	0,95

Pull rings, wide, galvanised.		
Item no.	D mm	Pce. Weight kg
GWTC180	180	0,24
GWTC200	200	0,25
GWTC225	225	0,30
GWTC250	250	0,35
GWTC275	275	0,40
GWTC300	300	0,45
GWTC350	350	0,50
GWTC400	400	0,55
GWTC450	450	0,60
GWTC500	500	0,65

Pull rings, 2 and 3 mm, galv.		
Item no.	D mm	10 pcs. Weight kg
Rubber ring insert (EPDM)		
2MM/GTC/080	80	1,76
2MM/GTC/100	100	1,87
2MM/GTC/120	120	2,04
2MM/GTC/140	140	2,25
2MM/GTC/150	150	2,38
2MM/GTC/160	160	2,55
2MM/GTC/180	180	2,72
2MM/GTC/200	200	2,83
2MM/GTC/225	225	3,20
2MM/GTC/250	250	3,40
2MM/GTC/275	275	3,45
2MM/GTC/300	300	3,57
2MM/GTC/350	350	4,42
2MM/GTC/400	400	4,93
2MM/GTC/450	450	5,61
2MM/GTC/500	500	6,46
2MM/GTC/550	550	7,14
2MM/GTC/600	600	8,50