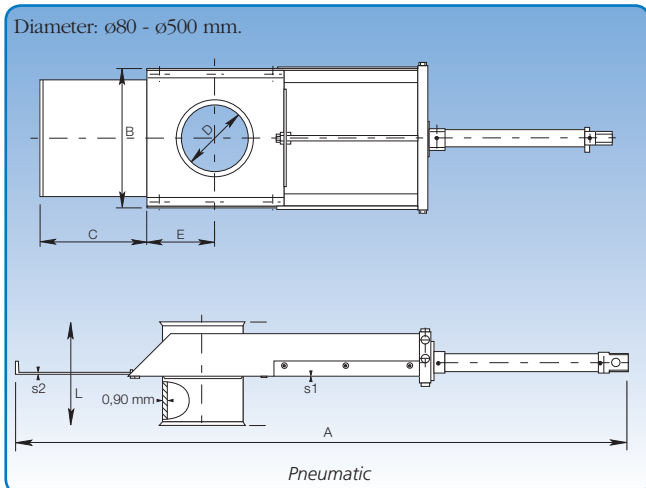


Sliding dampers , galvanised and pneumatic .

Revised: 16.06.2020



Dimensional specifications for integration length (L) are given in the table below.

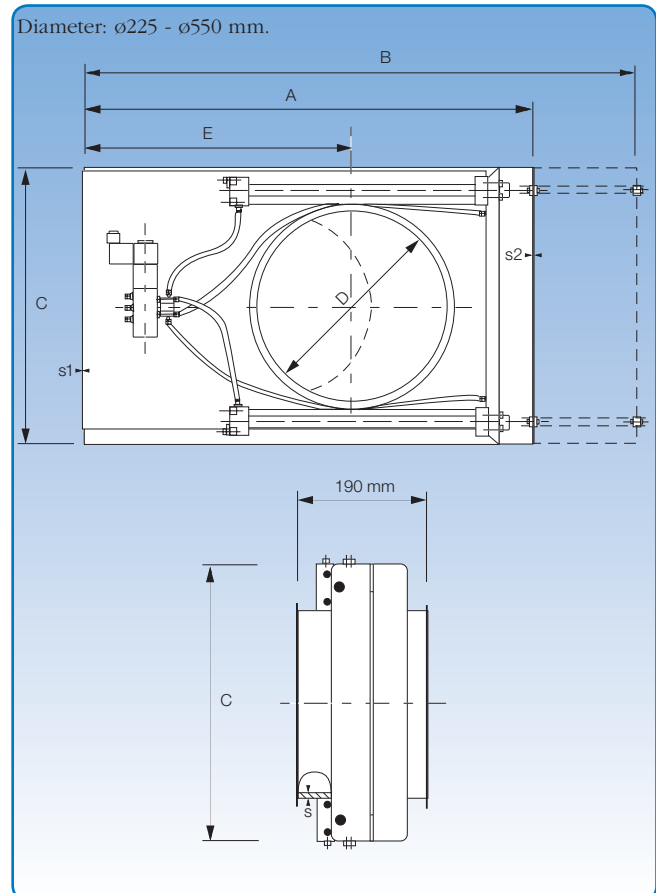
General

Sliding dampers are made of 0,90 mm galvanised sheet metal (s) with a damper of 2,00 mm galvanised sheet metal (s2).

Pneumatic pressure: 4-6 bar.

Damper is fitted with a pneumatic cylinder.

Solenoid and setting switches for position indication available as optional extras.



Item no. (Pneu.)	D mm	s1 mm	Dimensions					E mm	Weight (Pneu.) kg
			A mm	A1 mm	B mm	C mm	C1 mm		
GSDP080	80	1,25	550	700	145	105	100	75	3,24
GSDP100	100	1,25	800	865	185	150	160	95	4,19
GSDP120	120	1,25	800	865	185	150	160	95	4,51
GSDP140	140	1,25	975	980	225	175	200	115	5,46
GSDP150	150	1,25	975	980	225	175	200	115	5,50
GSDP160	160	1,25	975	980	225	175	200	115	5,70
GSDP180	180	1,25	1180	1250	295	225	250	150	8,10
GSDP200	200	1,25	1180	1250	295	225	250	150	8,60
GSDP225	225	1,50	1365	1370	325	270	300	160	9,50
GSDP250	250	1,50	1390	1400	350	300	300	175	10,90
GSDP275	275	1,50	1725	-	380	325	-	190	12,77
GSDP300	300	1,50	1750	-	400	345	-	205	14,40
GSDP350	350	1,50	2000	=	450	435	=	200	16,90
GSDP400	400	1,50	2150	-	500	460	-	250	19,60
GSDP450	450	1,50	2225	-	550	500	-	275	23,90
GSDP500	500	1,50	2575	-	600	550	-	300	27,80

The item numbers stated are for sliding dampers assembled using pull rings [f.b].

Sliding dampers are also available for other assembly methods on request.