

## Fan types JK-60MTD - JK-90MTD

Page: 1/5  
Revised: 15.06.2020

The direct drive centrifugal fan types JK-60MTD - JK-90MTD are designed for transport of clean air.

Equipped with backward-inclined blades and aerodynamic intake.

The impellers are statically and dynamically balanced.

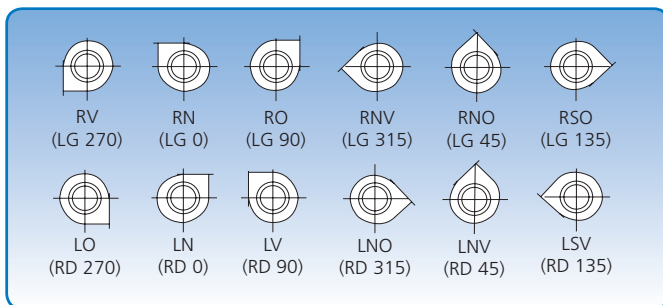
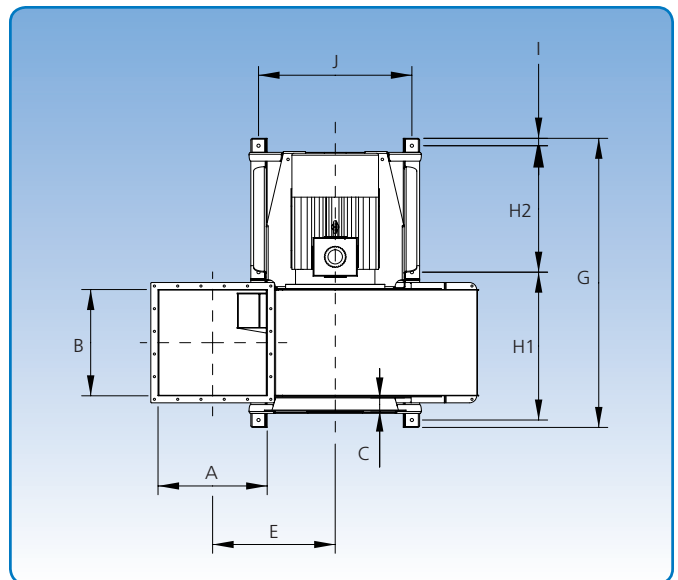
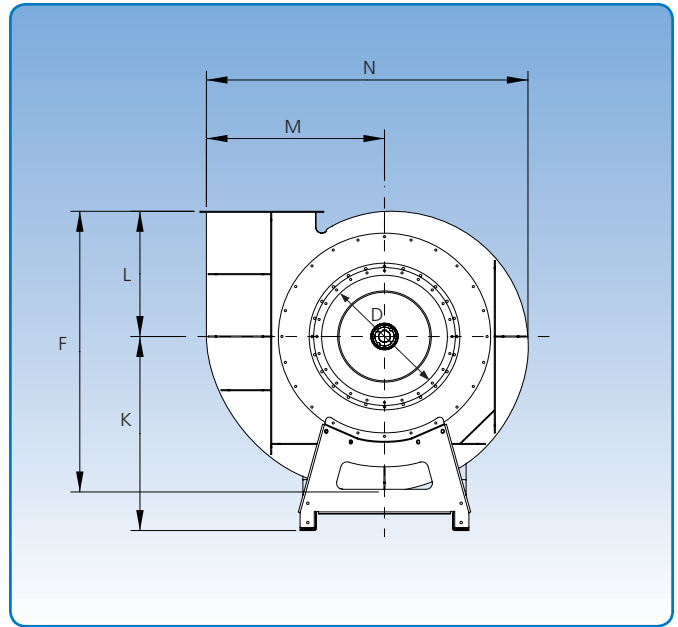
Max. operating temperature: 60°C

Dimensions (D) for the inlet are external. Supplied with flange as standard.

Specific dimensions for the outlet and inlet flanges can be found under "Flanges".

Available in anti-spark version with stainless steel inlet and explosion proof (Eex) motor.

The technical data for each type appears on the following pages.



6 positions. The position illustrations are viewed from the inlet side

Type	Dimensions															Weight without motor kg
	A mm	B mm	C mm	D mm	E mm	F mm	G mm	H1 mm	H2 mm	I mm	J mm	K mm	L mm	M mm	N mm	
JK-60MTD	505	505	75	600	655	1515	1481	742	655	42	850	1032	685	906	1659	444
JK-70MTD	605	605	75	700	680	1598	1646	842	720	42	850	1105	713	979	1773	491
JK-80MTD	705	705	75	800	711	1691	1821	942	795	42	1000	1188	744	1062	1901	564
JK-90MTD	805	805	75	900	718	1762	1990	1071	832	44	1264	1264	771	1120	1994	807

## Fan type JK-60MTD Technical data

Motor: IP 55

Supplied with the following motors:

50 Hz	60 Hz	amp.	Weight of motor kg
37kW (50 hp)	44kW (60 hp)	78,4	328
1475 min <sup>-1</sup>	1770 min <sup>-1</sup>		

**Max. RPM:**

Standard impeller: 1,800 min<sup>-1</sup>.

**Operating range:**

Air volume: 4,000 - 43,000 m<sup>3</sup>/h

Pressure: 1,800 - 5,000 Pa

**Power supply:**

3 × 400 V.

**Construction:**

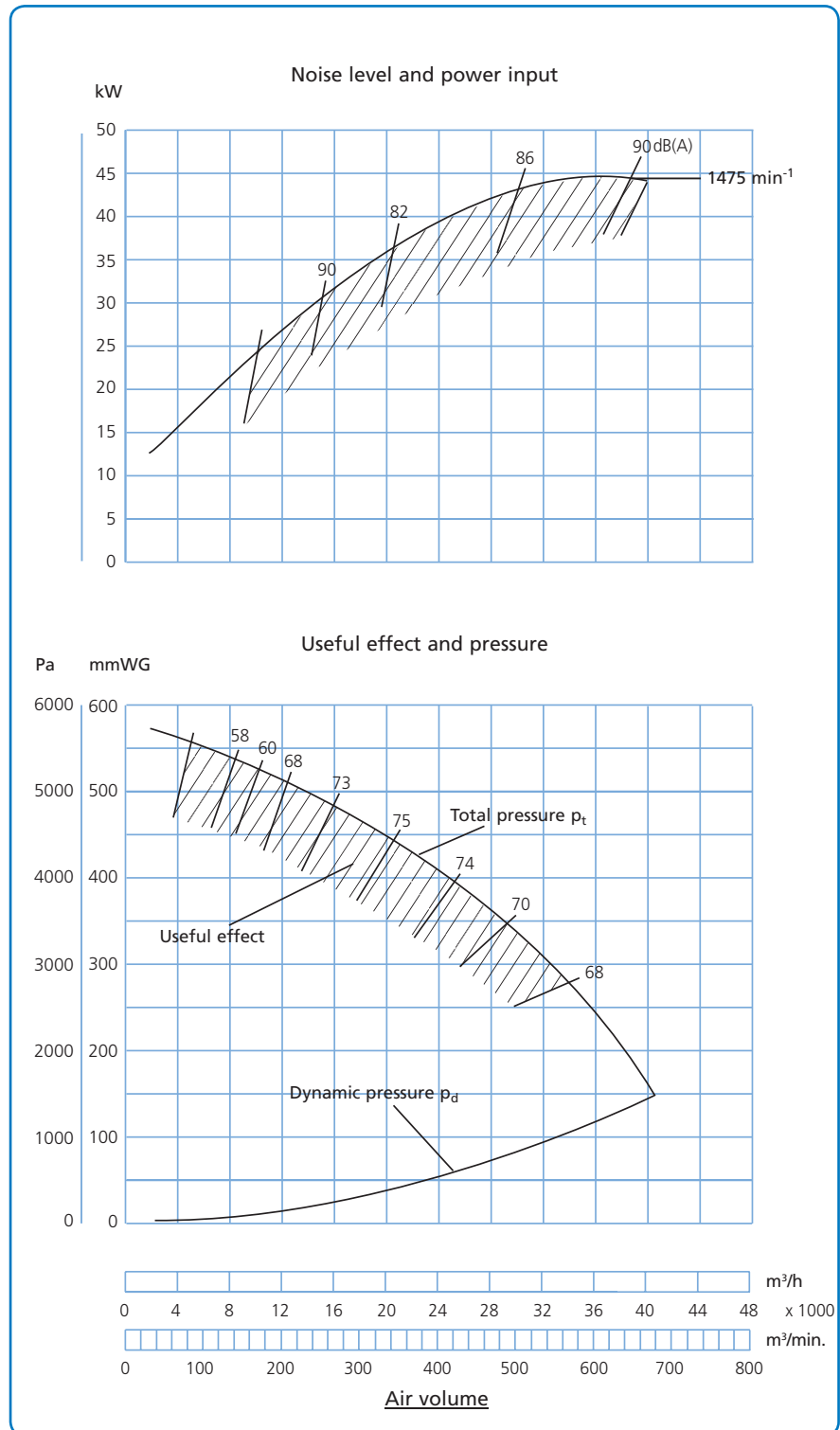
B3/B5 - motor mounted on foot and flange.

**Impeller:**

No. of blades, standard: 8 pcs.

Diameter: ø1,048 mm

Height: 292 mm



# Fan type JK-70MTD

## Technical data

Motor: IP 55

Supplied with the following motors:

50 Hz	60 Hz	amp.	Weight of motor kg
55 kW (60 hp)	66 kW (89 hp)	95,4	452
1480 min <sup>-1</sup>	1776 min <sup>-1</sup>		

**Max. RPM:**

Standard impeller: 1,780 min<sup>-1</sup>.

**Operating range:**

Air volume: 6,000 - 59,000 m<sup>3</sup>/h

Pressure: 1,700 - 5,200 Pa

**Power supply:**

3 × 400 V.

**Construction:**

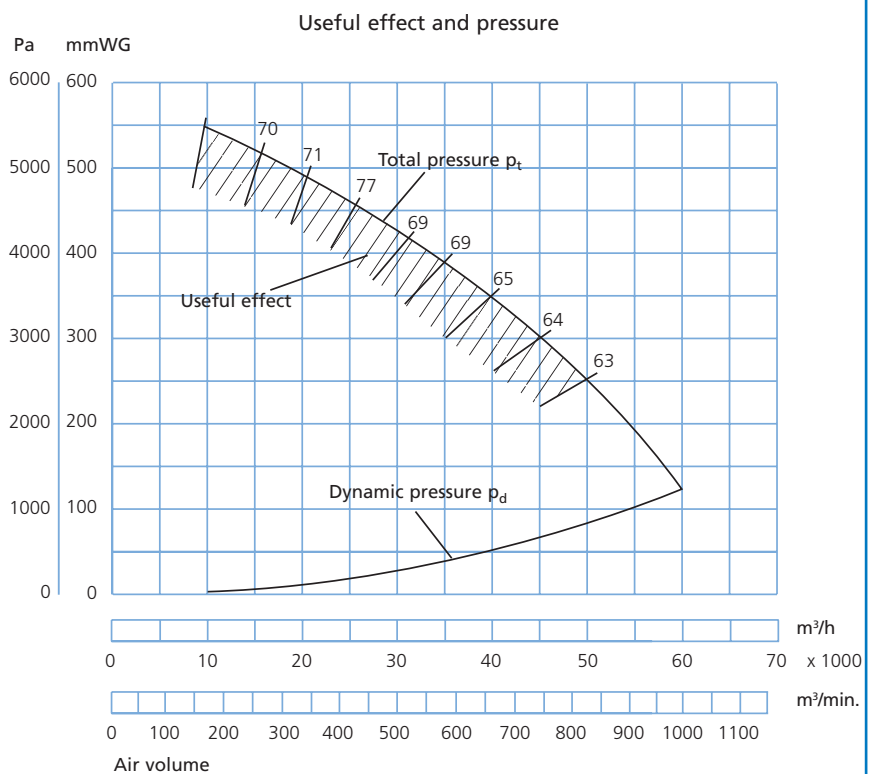
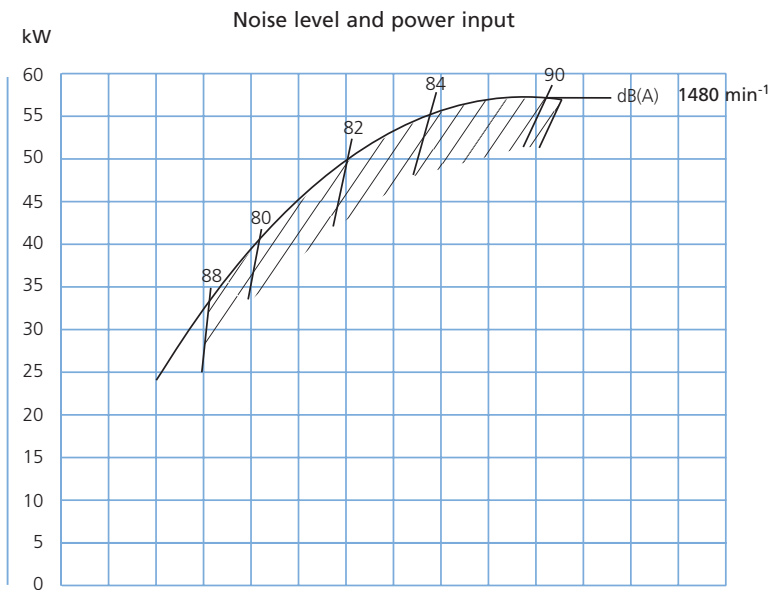
B3/B5 - motor mounted on foot and flange.

**Impeller:**

No. of blades, standard: 8 pcs.

Diameter: ø1,087 mm

Height: 332 mm



# Fan type JK-80MTD

## Technical data

Motor: IP 55

Supplied with the following motors:

50 Hz	60 Hz	amp.	Weight of motor kg
75 kW (101 hp)	90 kW (121 hp)	129,0	592
1475 min <sup>-1</sup>	1770 min <sup>-1</sup>		

**Max. RPM:**

Standard impeller: 1,770 min<sup>-1</sup>.

**Operating range:**

Air volume: 8,000 - 76,000 m<sup>3</sup>/h

Pressure: 1,900 - 5,500 Pa

**Power supply:**

3 × 400 V.

**Construction:**

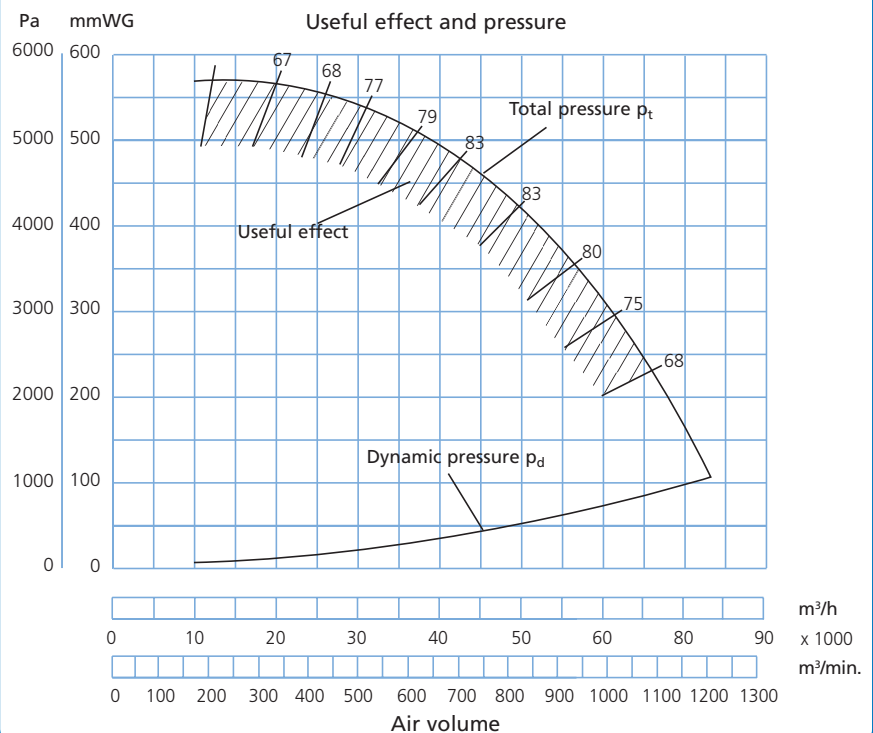
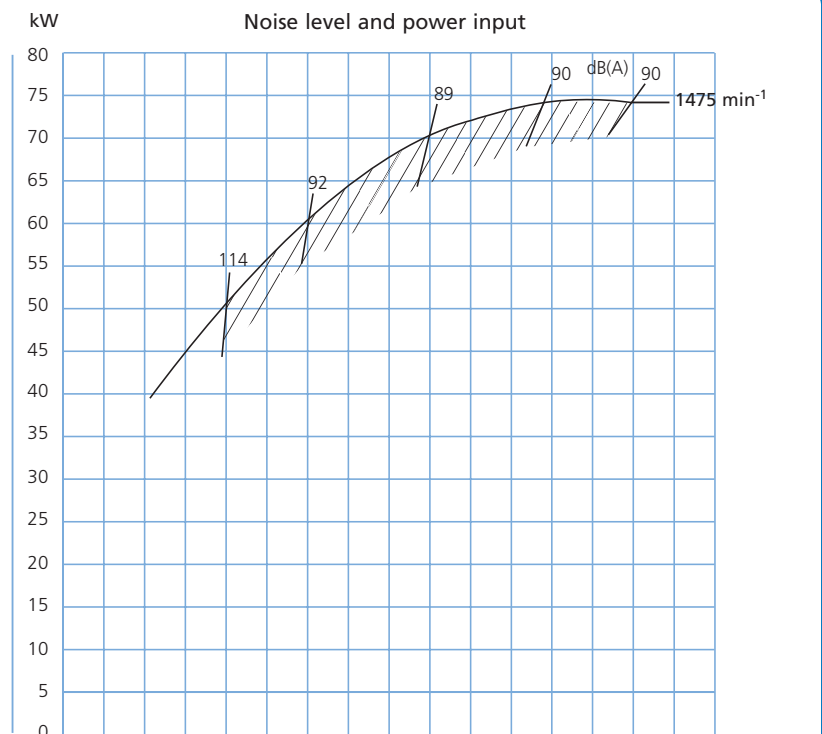
B3/B5 - motor mounted on foot and flange.

**Impeller:**

No. of blades, standard: 8 pcs.

Diameter: ø1131 mm

Height: 380 mm



## Fan type JK-90MTD Technical data

Motor: IP 55

Supplied with the following motors:

50 Hz	60 Hz	amp.	Weight of motor kg
90 kW (101 hp)	110 kW (150 hp)	155,0	672
1475 min <sup>-1</sup>	1770 min <sup>-1</sup>		

**Max. RPM:**

Standard impeller: 1,770 min<sup>-1</sup>.

**Operating range:**

Air volume: 8,000 - 76,000 m<sup>3</sup>/h

Pressure: 1,900 - 5,500 Pa

**Power supply:**

3 × 400 V.

**Construction:**

B3/B5 - motor mounted on foot and flange.

**Impeller:**

No. of blades, standard: 8 pcs.

Diameter: ø1,171 mm

Height: 454 mm

